



LPI-1 - LCD-P



LPI-1 - LED-P



LPI-1 - LCD-W



LPI-1 - LED-W

LPI-1

Loop Powered Indicator

Indicators with

- LED or LCD Display
- Panel or Wall Mount Enclosure

Masibus LPI-1 series Loop Powered Indicators come in four models; LED in Panel and Wall Mount as well as LCD in Panel and Wall Mount, to suit different viewing and mounting applications. All models are two-wire loop powered and need no Auxiliary power.

LPI-1 series indicators are housed in compact with ergonomically designed front fascia, the panel mount models have an IP65 front panel whereas the Wall mount models qualify for IP65 housing, all models deliver an accuracy of 0.1% of FS combined with a low temperature drift.

The indication range can be easily scaled by 3 front pushbuttons, the scale can be set to any range between -1999 to 9999 for 4-20mA input, and reverse scaling is also possible.

Features





- 4-Digit LED or LCD Display options
- Loop Powered with low voltage drop
- Reverse scaling for indication range
- Square root extraction
- Accuracy 0.1% of FS
- Panel or Wall mounting options
- Easy configuration with pushbuttons
- Compact and IP65 front/housing

Applications

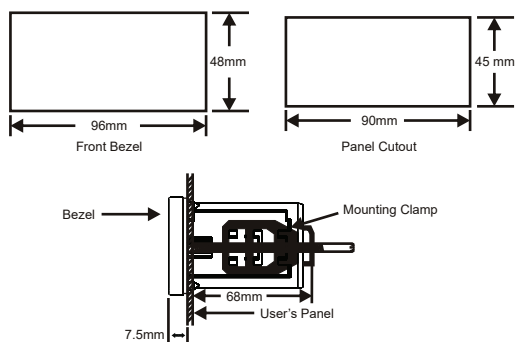
For Loop powered applications in Industries like

- Power
- Metals
- Chemicals
- Fertilizer
- Cement

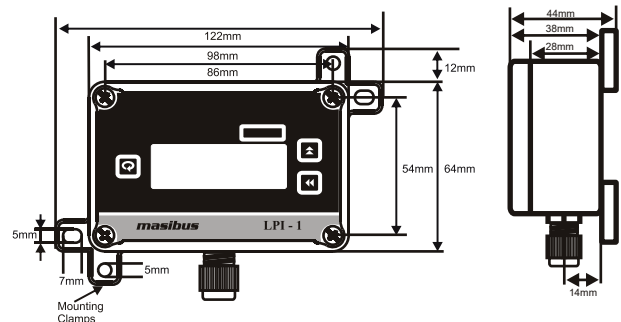
TECHNICAL SPECIFICATIONS

Specification	LED Panel Mount	LED Wall Mount	LCD Panel Mount	LCD Wall Mount
				
Input				
Current		4-20mA		
Voltage drop	<5V		<3V	
Maximum current		30mA		
Minimum current for operation		3.5mA		
Display				
Display	0.56", Seven Segment LED, Red 4-digit		0.5", Seven Segment LCD, Black 4-digit	
Indication Range		-1999 to 9999		
Decimals		Selectable, 0 to 3		
Response time		<500 mSec		
Configuration				
Scaling		Via Three pushbuttons at front panel		
Accuracy				
Indication		0.1% of FS (+/- 1 digit)		
Resolution		12 bits		
Temp-co		<100ppm		
Physical				
Enclosure Color	Black	Grey	Black	Grey
Material	Flame resistant Noryl SE 1 GFN 1	ABS	Flame resistant Noryl SE 1 GFN 1	ABS
Dimensions (W x H x D)	96 x 48 x 68 mm	122 x 88 x 44 mm	96 x 48 x 68 mm	122 x 88 x 44 mm
Weight	150g	180g	140g	170g
IP (Ingress Protection)	Front IP65	Enclosure IP65	Front IP65	Enclosure IP65
Environmental				
Operating Temperature		0 to 55 °C		
Storage Temperature		0 to 80 °C		
Humidity		20 to 95% (non-condensing)		
Mechanical Layout				

LPI-1 Panel Mount



LPI-1 Wall Mount



ORDERING CODE

Model	Display	Mounting	
		W	Wall
LPI-1	LED	P	Panel
		W	Wall
	LCD	W	Wall
		P	Panel